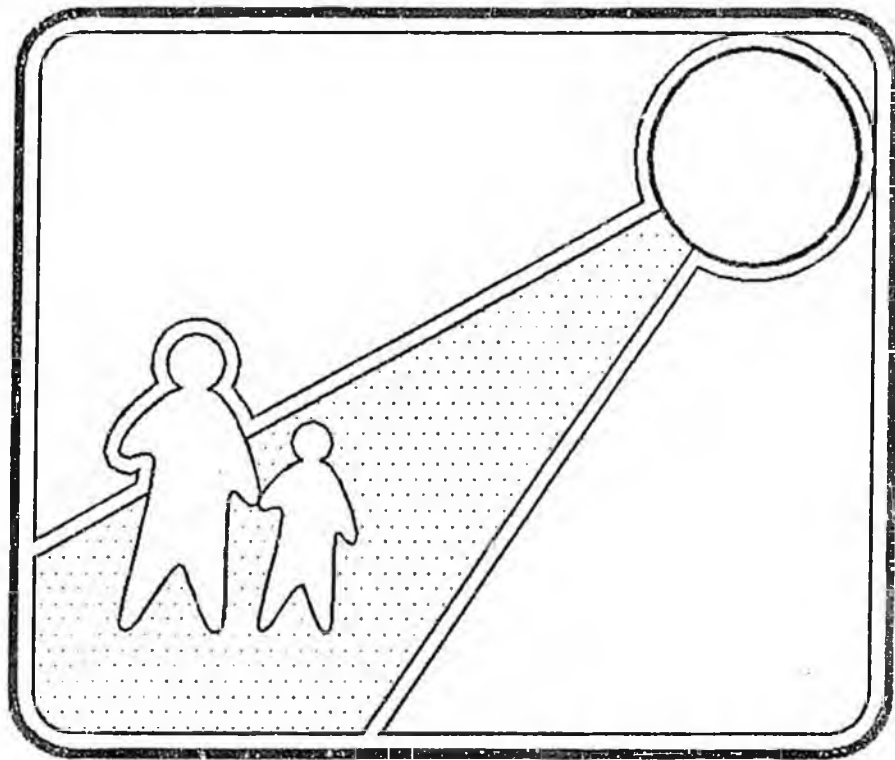


A P P I

2 0 0 0 0

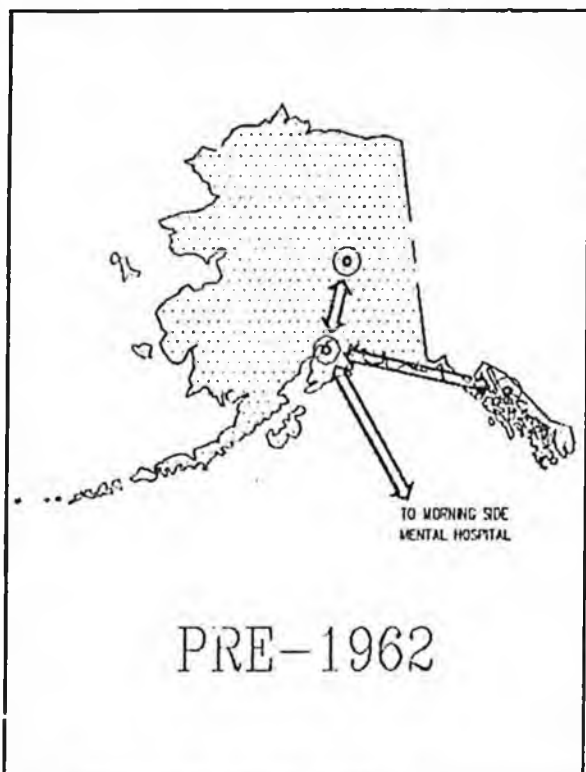
Presentation

DEPARTMENT OF HEALTH AND SOCIAL SERVICES  
API 2000



API 2000:  
MENTAL  
HEALTH  
ALASKA

DEPARTMENT OF HEALTH AND SOCIAL SERVICES  
 API 2000: SYSTEM CHANGES, 1962-2000+



THREE MENTAL HEALTH CLINICS:  
 JUNEAU-ANCHORAGE-FAIRBANKS  
 INPATIENTS SENT TO MORNINGSIDE  
 HOSPITAL IN OREGON

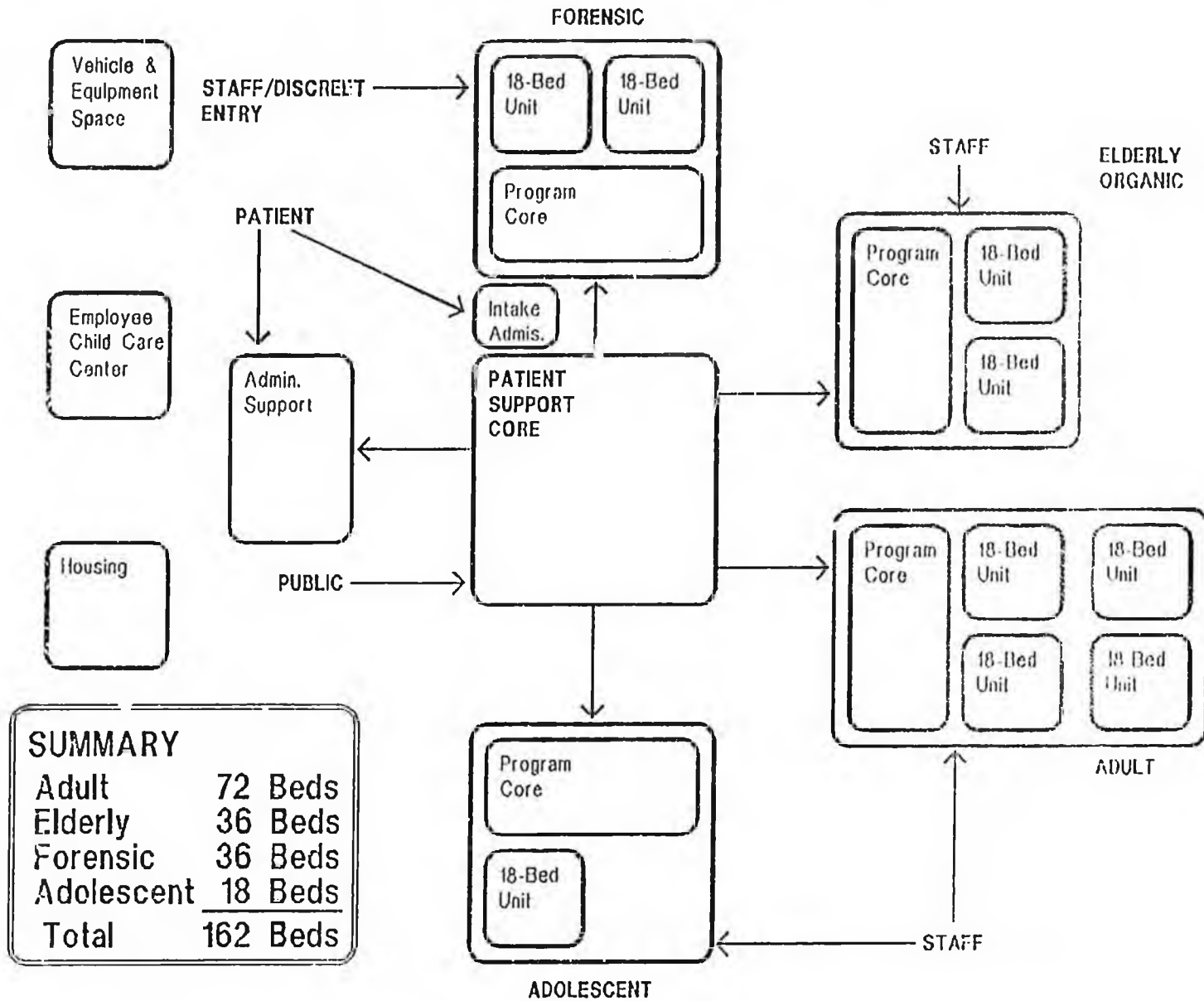


DEVELOPMENT OF:  
 LOCAL COMMUNITY MENTAL  
 HEALTH SERVICES/CENTERS  
 SUPPORT SERVICES (EG. SUBSTANCE ABUSE)  
 SUPPORT INFRASTRUCTURE

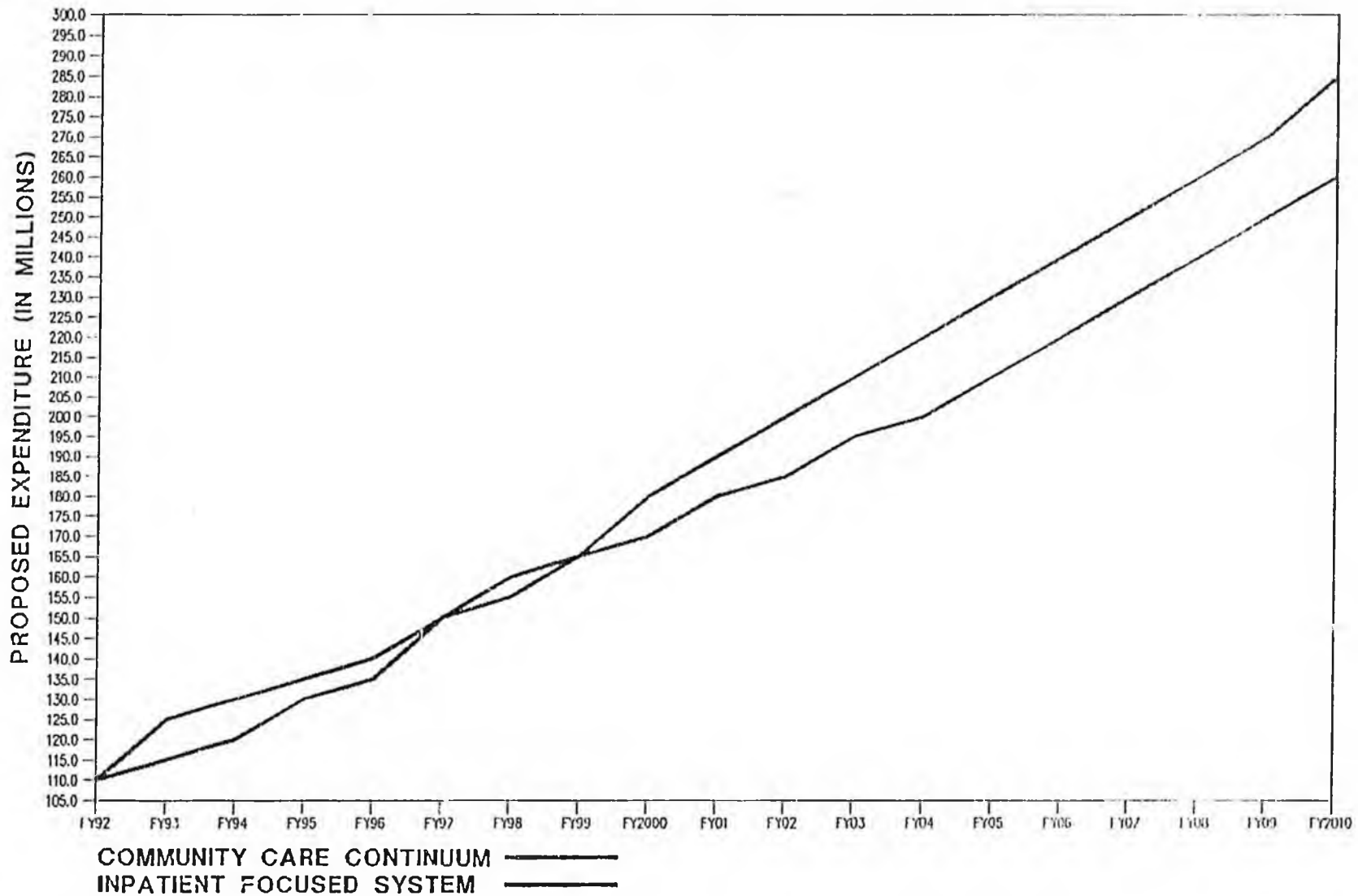


FULL MENTAL HEALTH COMMUNITY  
 BASED CONTINUUM OF CARE  
 REGIONAL HOSPITALIZATION/TREATMENT

DEPARTMENT OF HEALTH AND SOCIAL SERVICES  
 API 2000



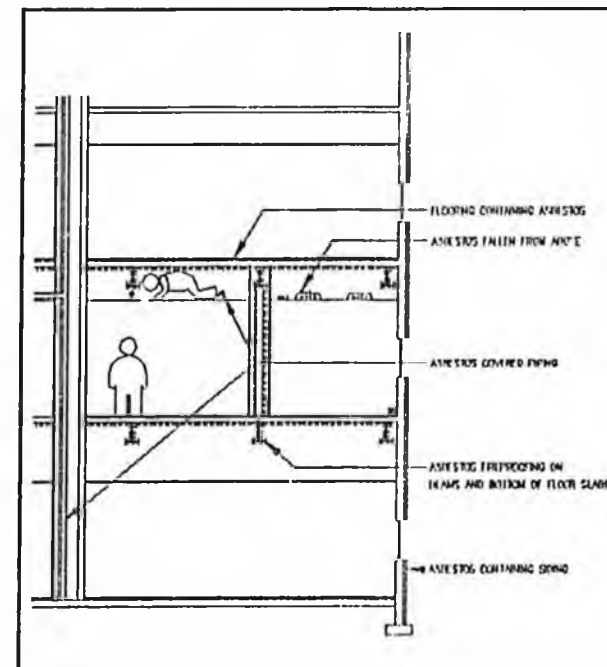
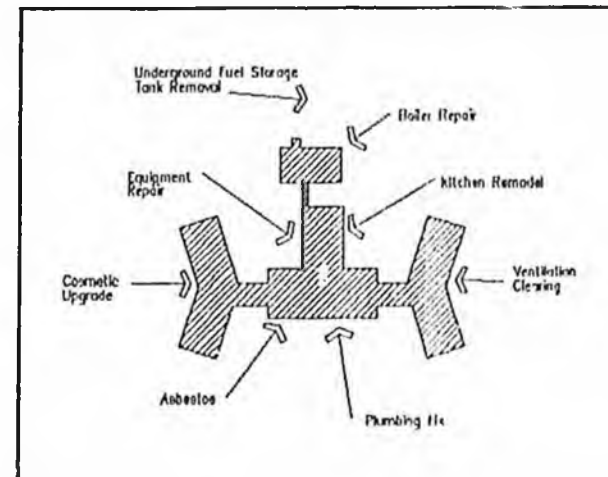
DEPARTMENT OF HEALTH AND SOCIAL SERVICES  
 API 2000: COMMUNITY VS INPATIENT BASED CARE



SOURCE: 1) "API - NEEDS ASSESSMENT & PLANNING" MAY, 1986; 2) "FINANCIAL ALTERNATIVES ANALYSIS; 12/2/91 REPORT", IRIBROOK III.

DEPARTMENT OF HEALTH AND SOCIAL SERVICES  
 API 2000

	FUNDING SINCE FY91	ESTIMATED 1992 NEED
FIRE/LIFE SAFETY - FIRE DAMPERS, ALARMS, ASBESTOS, ETC.	\$192.4	\$300.0
BUILDING INTEGRITY - VENTILATION UPGRADE, ETC.	\$808.3	\$400.0
STANDARDS COMPLIANCE - ADA; JCAHO REQUIREMENTS, ETC.	\$802.1	\$275.0
CLIENT ACTIVITY - ACTIVITY THERAPY, ETC.	\$100.0	\$100.0
PROGRAM EFFICIENCY - CRISIS RESPITE REMODEL, ETC.	\$289.1	\$150.0
STAFF ACTIVITY - SPACE REMODELLING	\$ 75.0	\$ 75.0
CONTINGENCY/EMERGENCY	\$400.0	\$100.0
<b>TOTALS</b>		<b>\$1,400.0</b>



DEPARTMENT OF HEALTH AND SOCIAL SERVICES  
 API 2000: MAINTAINING LOWEST RESPONSIBLE STATE INPATIENT CAPACITY

MAINTAINING:

REQUIRES: (In the Community)

State Inpatient Capacity

Inpatient/Residential

Other

Adults : 72 Beds

86 (+ Designated  
Evaluation Beds)

Full Array of Services  
(see AMHB Plan)

Elderly : 36 Beds  
(plus Harborview)

"26"

Full Array of Services

Children &  
Adolescents : 18 Beds

25 (RDT)

Full Array of Services

Forensics : 36 Beds\*

23\*

Full Array of Services  
(DOC Plan pending)

TOTAL 162 Beds

160

\*under review

## SYSTEM CHARACTERISTICS

Emphasis on Community Based Care  
Regional Distribution of Services  
Lowest Responsible Inpatient Capacity  
Build for 2000; Plan for 2010  
Flexible Inpatient Services